



M. BARTELS
REHA IM- & EXPORT GMBH

Operation Manual

Evac Skate

CD-7-1/2



FE-20-2

INTRODUCTION

Thank you for purchasing Evac Skate, BARTELS EMERGENCY EVACUATION DEVICE. Please thoroughly read this operation manual for safe operation in emergency situations. Furthermore, please carry out actual training to master how to operate Evac Skate. Evac Skate has been developed for people who cannot hurry downstairs in an emergency situation, i.e. those who have physical handicaps, are patients in serious condition or aged persons.

NOTE: This machine cannot ascend the stairs. Furthermore only human passengers can be carried by this machine. Carrying other loads is not the purpose of this machine.

- Type, Serial number

All machines are referred to by their serial numbers. Whenever you inquire about a machine, be sure to inform us of its serial number.

The serial number is inscribed on the side of the machine. Please record its number and year, month and date of purchase in the Operation manual.



Please write the serial number and date purchased in the following blank space.

Serial number	
Purchased date	Year Month Date

When you inquire about the machine, please inform us of its serial number and purchase date.

SAFETY PRECAUTIONS

To maintain safe operation, important safety precautions, classified into Warning and Caution, are indicated in corresponding parts of the Operation manual. The definition of each precaution is explained in the following section.

 WARNING	Neglecting this warning indication or operating the machine improperly may seriously endanger the concerned person's health or life..
 CAUTION	Neglecting this warning indication or operating the machine improperly may cause injury to the concerned person or damage the machine or related items.

- If you transfer this machine, be sure to attach this operation manual to the machine. -

TABLE OF CONTENTS

1. ESSENTIALS OF SAFE OPERATION	5
2. SPECIFICATIONS	6
4. SET-UP	7
3. NAME OF EACH UNIT	7
5. LOADING	8
6. TRANSFERING ON FLAT SURFACE	9
7. DESCENDING STAIRS	9
8. STORAGE	11
9. DAILY MAINTENANCE AND STORAGE	12
10. TERMS OF GUARANTEE	12
11. AGENTS ABROAD	14

Evac Skate

Quick emergency evacuation



Cabinet for storing Evac Skate when not in use

1. ESSENTIALS OF SAFE OPERATION

1. Always check Evac Skate before using it

- The operator must check Evac Skate before using it. The initial inspection is necessary for safe operation.



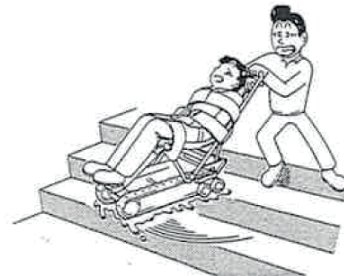
2. Safe operation with proper knowledge

- The operator must check Evac Skate before using it. The initial inspection is necessary for safe operation
- This machine cannot ascend the stairs. Furthermore only human passengers can be carried by this machine. Carrying other loads is not the purpose of this machine.



3. Safe operation with proper knowledge

- Never run the machine on a staircase which is over 40 degrees angle, on a curved staircase, an oily staircase, an icy staircase, a wet or slippery staircase or any other inappropriate staircase.
- Obliquely descending the stairs will result in danger of serious accident. The Operator must avoid oblique Operation on stairs. Always approach the staircase at a right angle.
- Whenever running the machine downward, the operator must always pay attention to the front of the machine.



4. Machine stoppage

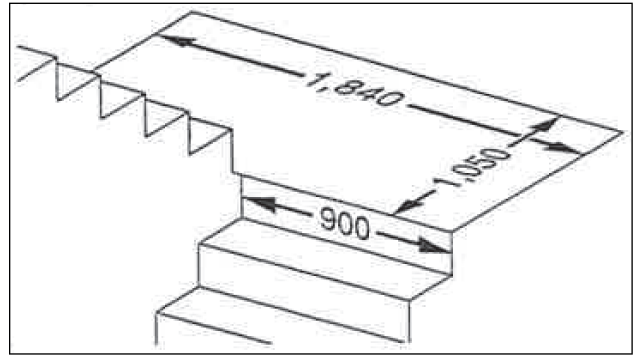
- If the machine gives trouble, malfunctions or is damaged, immediately stop operating the machine. Running it with a trouble cause existing can result in a serious accident.



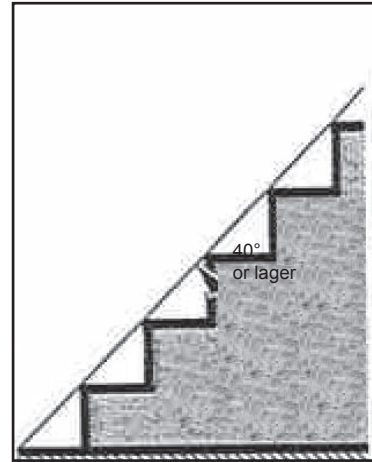
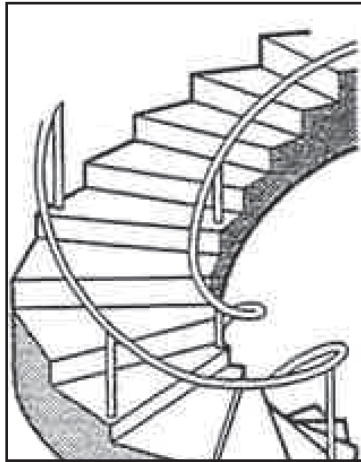
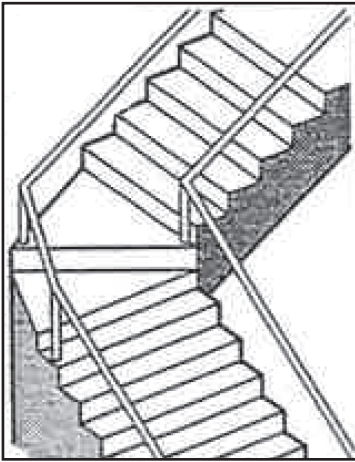
CAUTION FOR STAIRCASE

Be sure to confirm in advance that the landing area is wide enough to turn Evac Skate.

Minimum dimensions for landing (mm) :



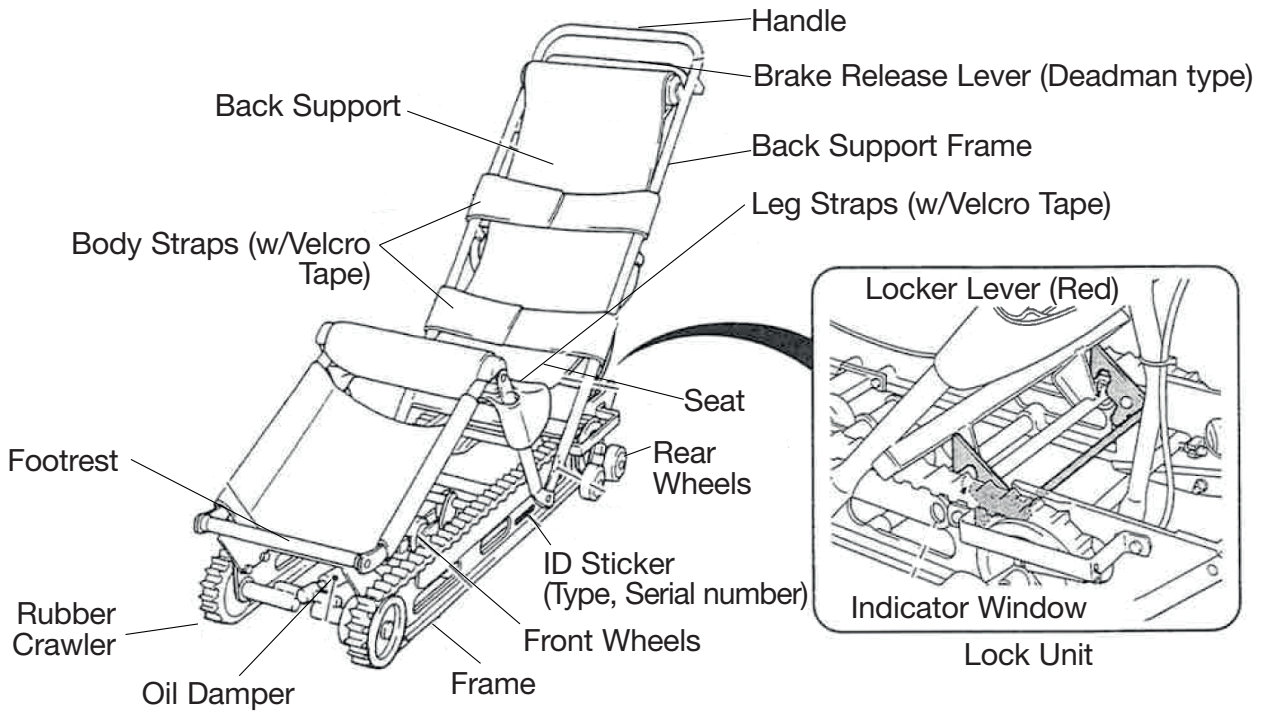
Evac Skate may not be used on spiral staircase, curved staircase, staircase angles exceeding 40 degrees.



2. SPECIFICATIONS

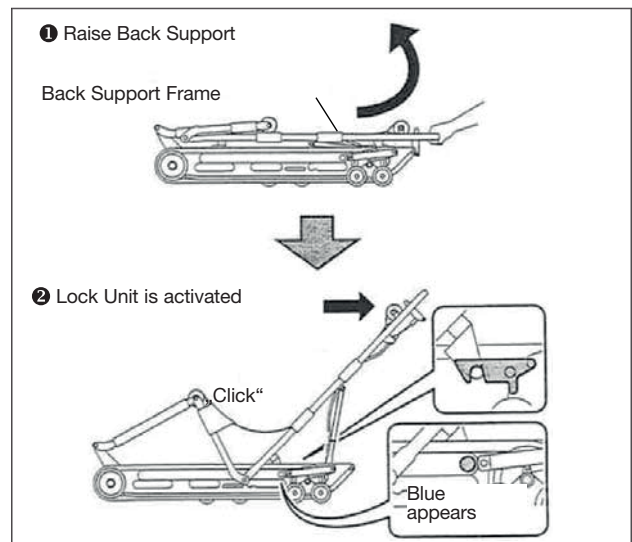
Name	Evac Skate	
TYPE	CD-7-2	
Numer of passenger	1 (Max. load capacity : 135 kg)	
Weight	20 kg	
Speed Control	Oil damper	
Brake applied on the stairs	Deadman type manual brake	
Dimensions	Maximum length (mm)	1310 (operating) 1100 (folded)
	Maximum width (mm)	426 (operating) 426 (folded)
	Maximum height (mm)	810 (operating) 270 (folded)
Stair descent speed (m/sec.)	1.1 (for passenger weight : 65 kg and stair angle : 40°)	
Maximum stair angel	40°	

3. NAME OF EACH UNIT



4. SET-UP

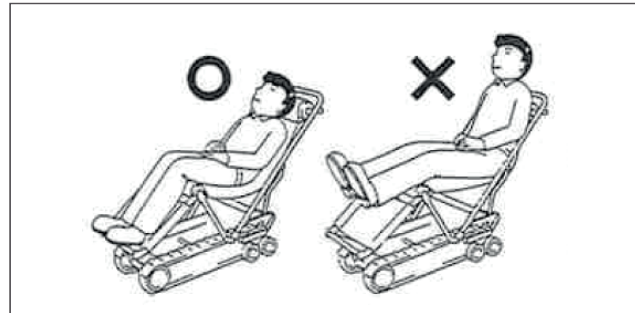
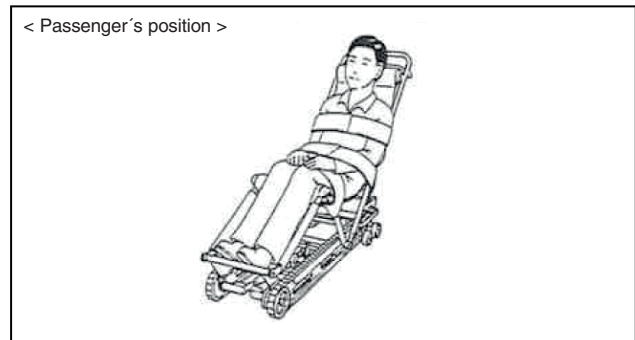
1. Pull the machine out from underneath bed or from cabinet.
2. Grasp the end of Handle. Pull it out and up quick and smoothly until a „click“ sound is heard (Lock Unit is activated). Then check that Blue appears in Indicator Window. Back Support Frame setting is completed if it cannot be moved to its stored position.



Operating while unlocked is very dangerous. Be sure to check the locked condition before using the machine.

5. LOADING

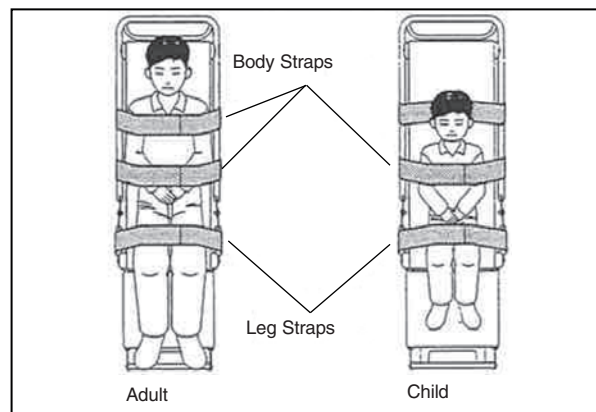
1. Position the machine parallel to bed or wheelchair.
2. Maintain the machine in the same place until the passenger is transferred to the machine. Board the passenger abdomen first. Place the passenger's feet on Footrest and lay him/ her on Back Support.
3. Fasten Body Straps and Leg Straps and secure him/her to the machine.



CAUTION

Properly position the passenger's abdomen on the machine's Seat. If the passenger is placed on a Back Supporting Unit, the machine may topple.

NOTE: The passenger's arms should be wrapped inside Body Straps.



WARNING

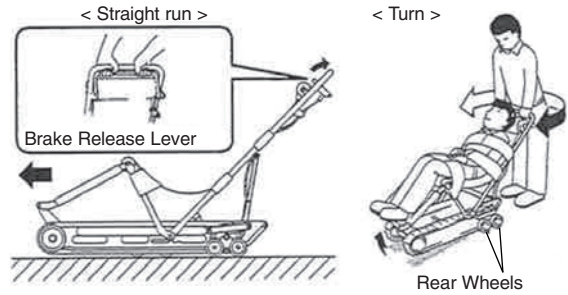
Descending stairs without the passenger being secured by Straps will result in the passenger falling down the stairs. Never attempt to descend the stairs unless the passenger is secured with Straps.

6. TRANSFERRING ON FLAT SURFACE

1. Push the machine while squeezing Brake Release Lever. The machine will transfer on its six Wheels.

ADVICE: For easier squeezing of Brake Release Lever, push Handle downward a little in order to float the front part of the machine.

2. To turn the machine, push Handle downward a little and pivot it on Rear Wheels.
3. When Brake Lever is released, the machine will automatically stop.

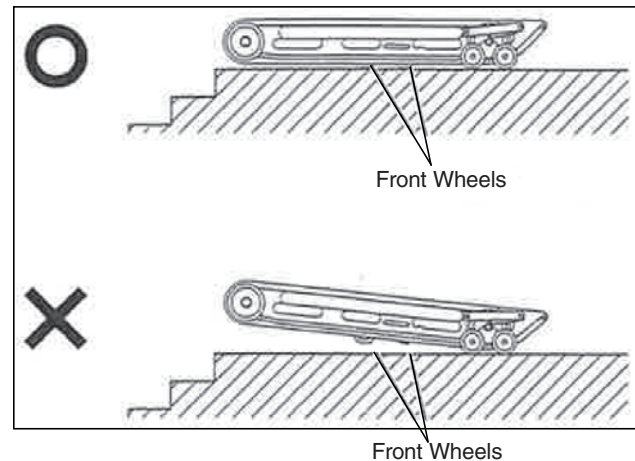


WARNING

Never try to approach the stairs while the machine's Front Wheels are not contacted with the floor.

7. DESCENDING STAIRS

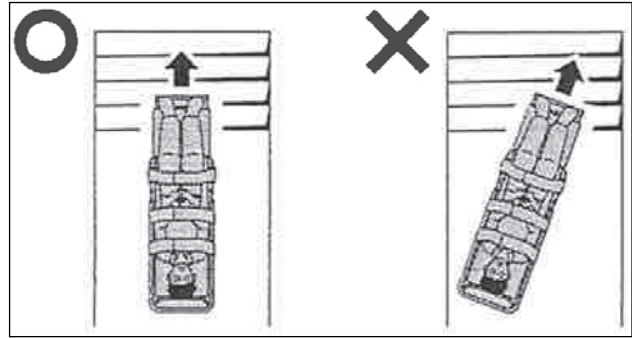
1. When the machine reaches the top of the stairs, slow down. Be sure to bring the machine's Front Wheels into contact with the floor.



WARNING

If the Front Wheels are not in contact with the floor, when the machine is positioned at the top of the stairs, the machine may tumble down the stairs due to poor weight Balance.

- Approach the stairs at a right angle with the machine.



WARNING

Never try to obliquely descend the stairs. Doing so may cause the machine to topple dangerously.

- When Front Wheels drop off the edge of the top stair, the machine will automatically stop. After this, release your grips on Brake Release Lever to engage the brake, lift Handle and tilt the machine to the angle of the stairs.

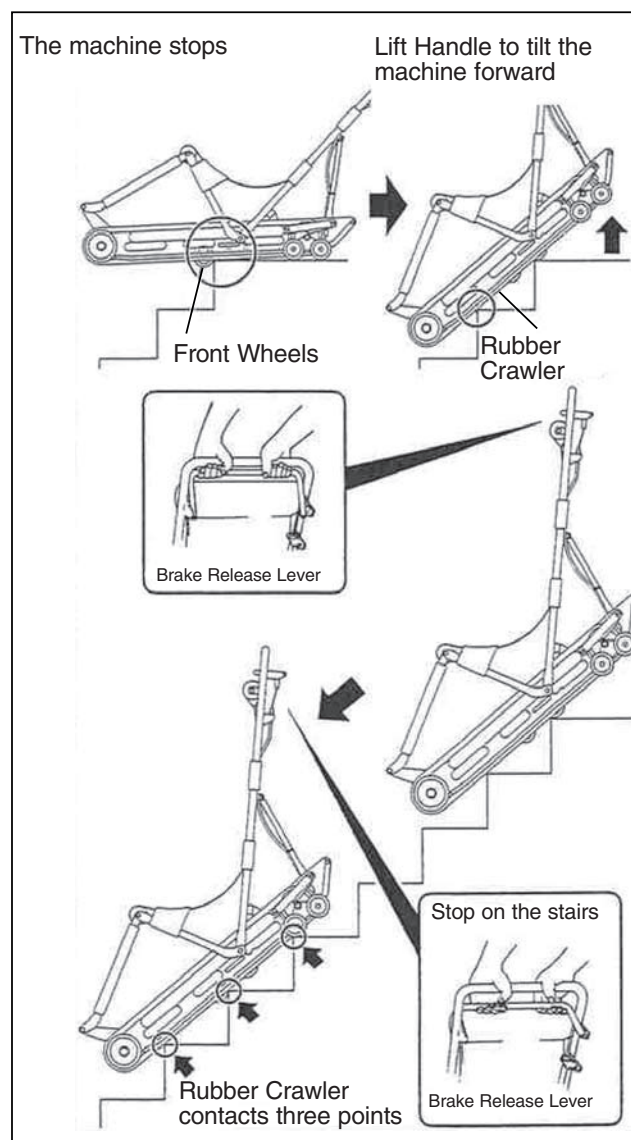
NOTE: Do not squeeze Brake Release Lever before you are ready to descend.

- Only after Rubber Crawler contact the stairs, can Brake Release Lever be squeezed. The machine will begin to descend the stairs due to its own weight. Never release one's grip from Handle while the machine is descending the stairs.

NOTE: The descent speed is automatically controlled by an Oil Damper.

- To stop the machine's on the stairs, slowly release Brake Release Lever. The machine will stop. If any unavoidable situation occurs (such as having to remove an obstacle) where the Operator has to leave the machine, first confirm that each Rubber Crawler contacts at least three stair edges and that the machine is stable.

- If the machine is required to turn on a landing, press down on Handle and pivot the machine on Rear Wheels (the same procedure as 6 - 2). For approaching the following stairs, be sure to approach the stairs at a right angle with the machine.

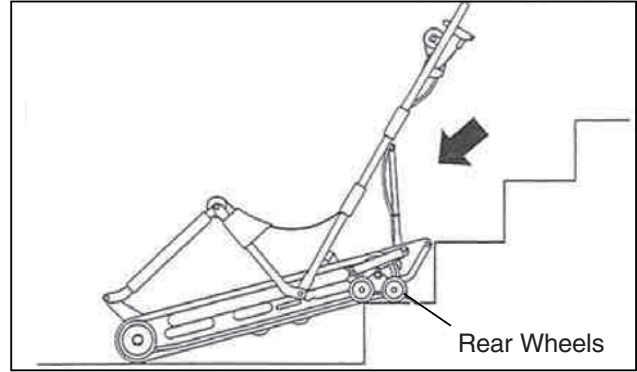


IMPORTANT PROCEDURE:

When the machine reaches the bottom of the stairs, press Handle downward forcefully in order to bring Rear Wheels into contact with the floor.

When a light weight passenger is on the machine the machine may not descend the stairs even if the brake is released. If so, keep pressing the machine toward the downstairs direction.

If it is too heavy to land the Rear Wheels at the bottom of the stairs, another operator must pull the machine from the bottom of the stairs. Pay attention to avoid excessive descending speed in order to avoid collision with the wall after the machine has landed on the bottom of the stairs.

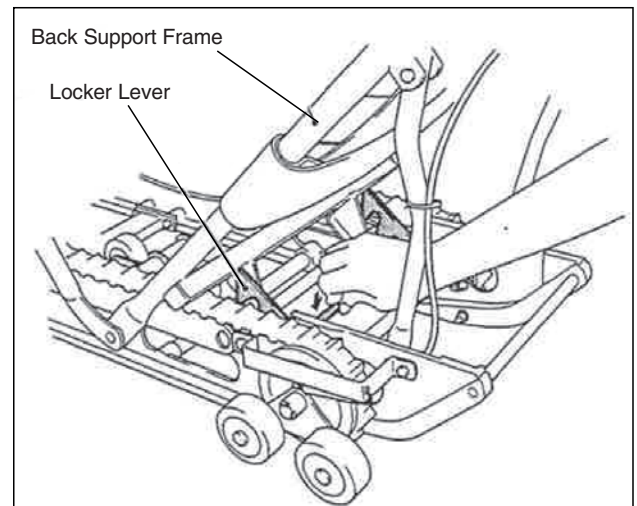


WARNING

Never try to approach the stairs while the machine's Front Wheels are not contacted with the floor.

8. STORAGE

1. Press Lock Lever, positioned at the rear of Seat, and slide Back Support Frame forward to fold Back Support Frame.
2. Store the machine in an easily accessible place such as under of a bed or in a cabinet.



CAUTION

Back Support Frame folds scissor-wise as seen from Rither end. Pay attention to keeping the operator's hands clear of the folding mechanism.

9. DAILY MAINTENANCE AND STORAGE

RUBBER CRAWLER

- If oil adheres, immediately wipe it off completely.
- Check there is no crack or wear concerning Rubber Crawlers. If any defect on Rubber Crawler is observed, stop Evac Skate immediately and replace the part with a pair of new ones.

BRAKE AND BRAKE WIRE

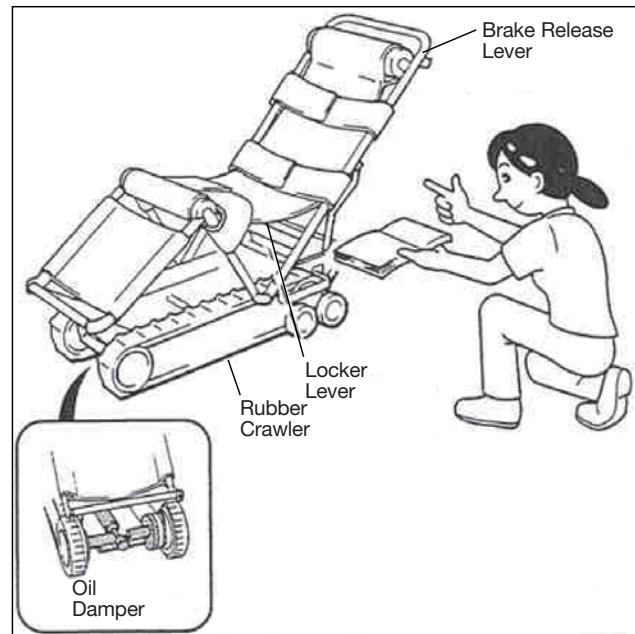
- Check that Brake Release Lever functions normally and that Brake is automatically engaged by releasing Brake Release Lever.
- Check that no damage or wear to Wire is observed. If any damage is observed, replace Wire with a new one.

LOCK LEVER

- Check that Lock Lever functions normally and that Back Support Frame will not return to the initial position when locked.

OIL DAMPER

- Check that no oil leakage can be seen on Oil Damper or its surrounding area.



10. TERMS OF GUARANTEE

Time of warranty 15 years!

2 Years for consumable components (rubber tracks and other rubber parts) under normal use and service and 4 years in case of storing in a storage cabinet.

NOTES

11. DEALER

Austria/Czech

Lehner Lifttechnik GmbH Salling 8
4724 Neukirchen am Walde
Phone: +43 7278 3514
Fax: +43 7278 3514-12
office@lehnerlifttechnik.at
www.lehner-lifttechnik.at

Belgium

Metra bv
Jan Samijnstraat 25
9050 Gent
Phone: +32 9227 7174
Fax: +32 9227 0280
info@metra.be
www.metra.be

Bulgaria

Pro-Lift Bulgaria Ltd.
Krasno Selo 191
1612 Sofia
Phone: +359 886 097189
office@pro-lift.eu
www.pro-lift.eu

Denmark

Trappetjeneren ApS
Arnold Niensens Boulevard 64A
2650 Hvidovre
Phone: +45 31 728500
Fax: +45 70 141206
mail@trappetjeneren.dk
www.trappetjeneren.dk

Finland

Apuväline Lähdemäki Oy
Simakankatu 11
30420 Forssa
Phone: +358 400 483258
Fax: +358 342 40699
sales@apuvalinelahde.fi
www.apuvalinelahde.fi

France

Reha-Trans
4 Rue des Forgerons
68600 Wolfgantzen
Phone: +33 389 791777
Fax: +33 389 791924
info@reha-trans.fr
www.reha-trans.fr

Germany

SOBRATEC GmbH
Schluckenauer Straße 11a
02689 Sohland/Spree
Phone: +49 35936 45981
Fax: +49 35936 30982
info@sobratec-treppenlifte.de
www.sobratec-treppenlifte.de

Germany

ANGO Reha Technik Vertriebs GmbH
Stemeler Strasse 99
59846 Sundern
Phone: +49 2933 9218800
Fax: +49 2933 9218809
info@ango-reha.de
www.ango-reha.de

Germany

Perfekta-Lift GmbH
Glehner Heide 1
41352 Korschenbroich
Phone: +49 2182 886060
Fax: +49 2182 8860610
info@perfekta-lift.de
www.perfekta-lift.de

Germany

Prüfer & Co. Aufzugbau GmbH
Ruhlaer Straße 9
14199 Berlin
Phone: +49 30 8264838
Fax: +49 30 8266469
info@pruefer-aufzugbau.de
www.pruefer-aufzugbau.de

Germany

Süddeutsche Sanilift GmbH
Pflasterackerstr. 60
70186 Stuttgart
Phone: +49 711 51865275
Fax: +49 711 51865278
info@sanilift.de
www.sanilift.de

Germany

Strehlow GmbH
Havelstraße 23
39126 Magdeburg
Phone: +49 391 505660
info@strehlow.info
www.strehlow.info

Greece

Konstantinos Dederis
62 Argiroupoleos
16451 Athen
Phone: +30 2105443894
Mobil: +30 6948245364
kdederis@yahoo.gr
www.dederis-orthopedika.gr

Hungary

Aluhit KFT
Uttörö u. 20
2510 Dorog
Phone: +36 209224777
Fax: +36 633502791
info@aluhit.hu
www.aluhit.hu

Hungary

Nyír-Lift Kft
Debreceni út 236
4400 Nyíregyháza
Phone: +36 30 6773070
Fax: +36 42 490454
info@nyirlift.hu
www.nyirlift.hu

Israel

Galim Import & Marketing Ltd.
Mosav Amatz
Shnei Alonim 1
38870 Omets
Phone: +972 72 2116000
Fax: +972 72 2507879
galimimport@gmail.com
www.galimimport.com

Latvia

Elevet SIA
Vestienas street 20
LV 1035 Riga
Phone: +371 25708022
Fax: +371 67574023
elevet@elevet.lv
www.elevet.lv

Netherlands

Escape Mobility
Bochholtzerweg 14 c
6369 TG Simpelveld
Phone: +31 455280670
info@escape-mobility.com
www.escape-mobility.com

Netherlands

Evacuatieexpert
Sloetsweg 5
7557 HS Hengelo
Phone: +31 748539984
info@evacuatieexpert.nl
www.evacuatieexpert.nl

Poland

Horyzonty bez Granic
Aneta Angowska
ul. F. Fenikowskiego 7A/35
84-240 Reda
Phone: +48 501 422992
biuro@horyzontybezgranic.pl
www.horyzontybezgranic.pl

Poland

Haltia Rehabilitacja & Ortopedia
ul. Paprotna 8
51-117 Wroclaw
Phone: +48 71 3528415
Fax: +48 68 4124206
info@haltia.pl
www.haltia.pl

Poland

Reha Bloch
ul. Lermontowa 3
60-461 Poznań
Phone: +48 61 8423546
Fax: +48 61 8423546
biuro@rehabloch.pl
www.rehabloch.pl

Portugal

WELL4ALL Iberica
Rua Major Joao Luis de Moura
Famoes Park, Armazem W1685-253
Famoes - Lisboa
Phone: +351 1 219 349496
Fax: +351 1 219 330188
alice.rosa@well4alliberica.pt
www.well4alliberica.pt

Russia

CTAPR Drushby Str. 34
241030 Bryansk
Phone: +7 4832 321132
info@ctapr.ru
www.ctapr.ru

Slovenia

JR Product d.o.o. Stegne 7
1000 Ljubljana
Phone: +386 1511 4482
Fax: +386 1511 4483
info@jr-product.si
www.jr-product.si

Spain

Stannah Incisa S.L.U.
c/ Eduard Marquina 26
08911 Badalona
Phone: +34 93 4646770
Fax: +34 93 3891534
otecnica@stannah.es
www.stannah.es

Spain

Enier
Av. De Franca 205
17840 Sarrià de Ter
Phone: +34 972 171374
Fax: +34 972 170678
enier@enier.com
www.enier.com

Switzerland

BACO Service AG
Glättemühleweg 22
3613 Steffisburg
Phone: +41 33 4394141
Fax: +41 33 4394142
bern@hoeggliift.ch
www.baco-ag.ch

Switzerland

Garaventa Liftech AG
Fännring 2
6403 Küssnacht am Rigi
Phone: +41 41 8547880
info@garaventalift.ch
www.garaventalift.ch

Switzerland

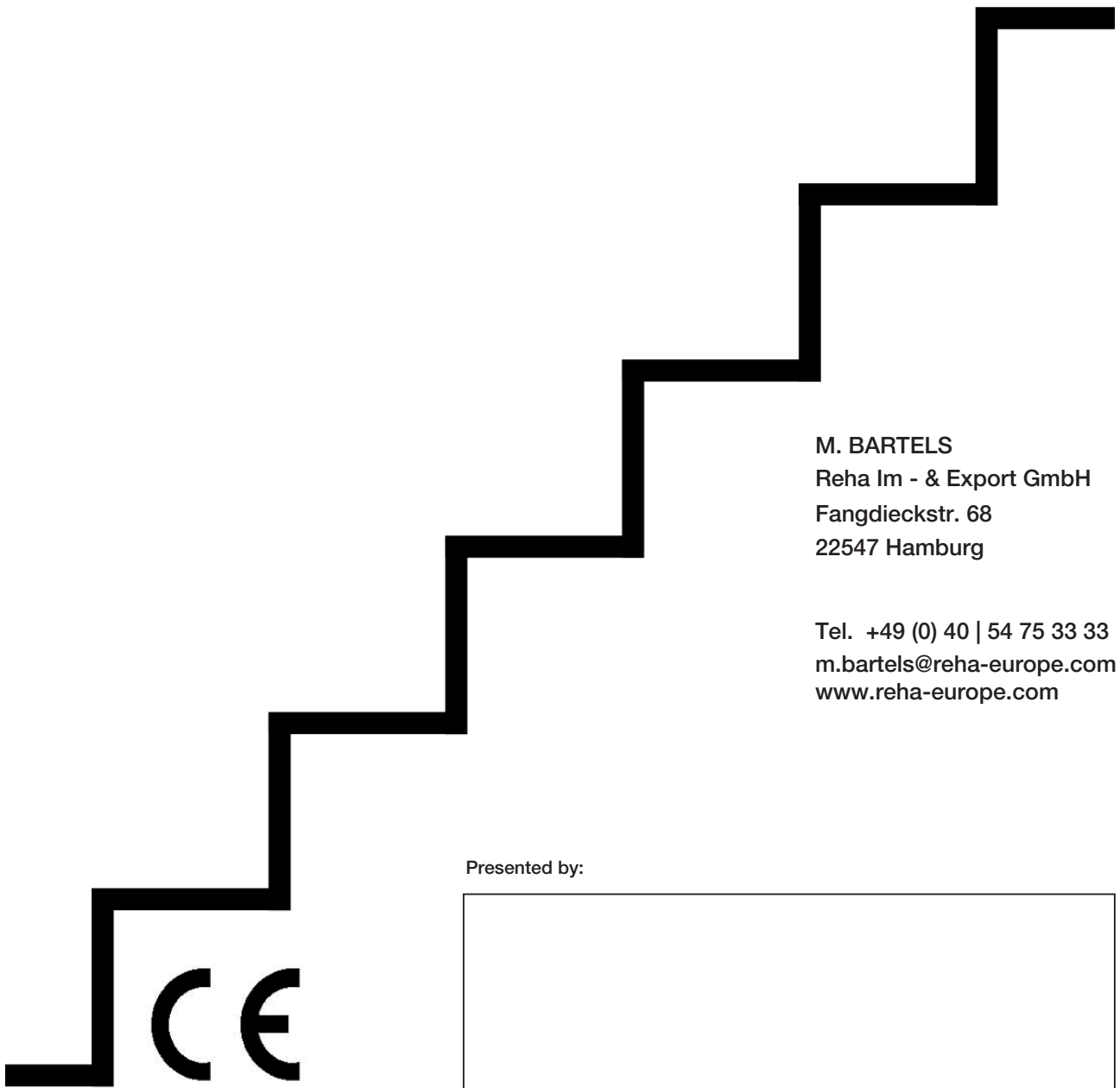
Rigert AG Treppenlifte
Fännring 2
6403 Küssnacht am Rigi
Phone: +41 41 8542010
info@rigert.ch
www.rigert.ch

United Kingdom

Evaccess
Swallow Evacuation and Mobility
Products Limited
197 Vicarage Road,
Kings Heath B14 7QQ
Birmingham
Phone: +44 121 4443690
info@evaccess.uk
www.evaccess.uk



M. BARTELS
REHA IM- & EXPORT GMBH



M. BARTELS
Reha Im - & Export GmbH
Fangdieckstr. 68
22547 Hamburg

Tel. +49 (0) 40 | 54 75 33 33
m.bartels@reha-europe.com
www.reha-europe.com

Presented by: